



产品概述

标准BNC同轴接口,用于标清同轴视频监控系统的防雷保护

Product overview

Standard BNC coaxial interface is used for lightning protection of SD coaxial video surveillance system

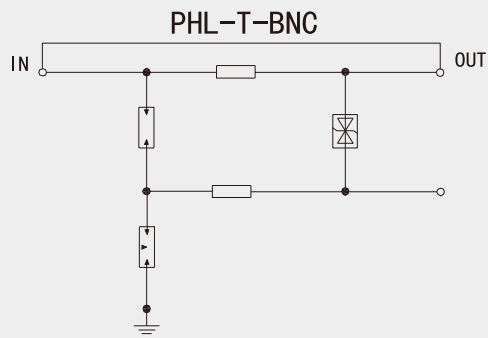
主要特点

Main characteristics

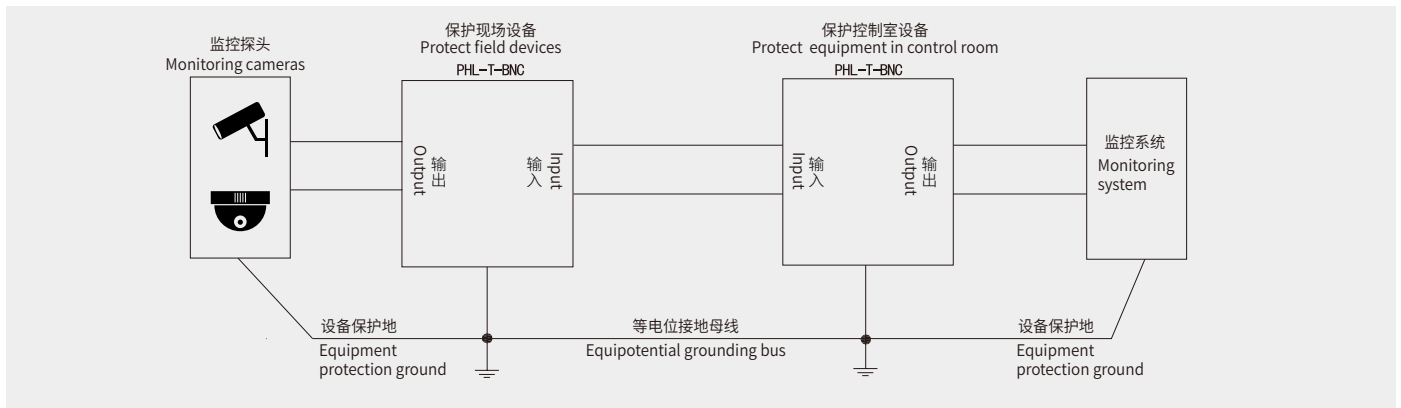
- 用于LPZ0-LPZ2及后续分区界面的保护
It can be used to protect LPZ0-LPZ2 and subsequent partition interfaces

技术数据 Technical data

额定工作电压Un Rated operating voltage Un	5VDC
最大工作电压Uc Maximum operating voltage Uc	6VDC
标称工作电流IL Nominal working current IL	500mA
标称放电电流In(8/20μs) Nominal discharge current In (8 / 20μs)	10KA
最大放电电流Imax(8/20μs) The maximum discharge current (8 / 20μs)	20kA
雷电冲击电压limp(10/350μs) Lightning impulse voltage limp(10/350μs)	2.5kA
保护电压Up (8/20μs) 线对线 Protection voltage Up (8/20μs) line to line	<45V
保护电压Up (8/20μs) 线对地 Protection voltage Up (8/20μs) line to ground	<600V
带宽 Bandwidth	30MHz
插入损耗 Insertion loss	<-0.5dB
响应时间 Response time	<1ns
外壳材料 Housing material	黑色金属铝 Ferrous metal aluminum
工作温度范围 Working temperature range	-40°C~+80°C
安装方法 Installation method	DIN35mm
接地方式 Grounding method	1.5mm ² 接地软线,长度200mm 1.5mm ² ground flexible cable, length 200mm
测试标准 Test standard	GB/T/18802.21/IEC 61643-21



接线方式 Schematic diagram



外形尺寸 Dimension drawings

